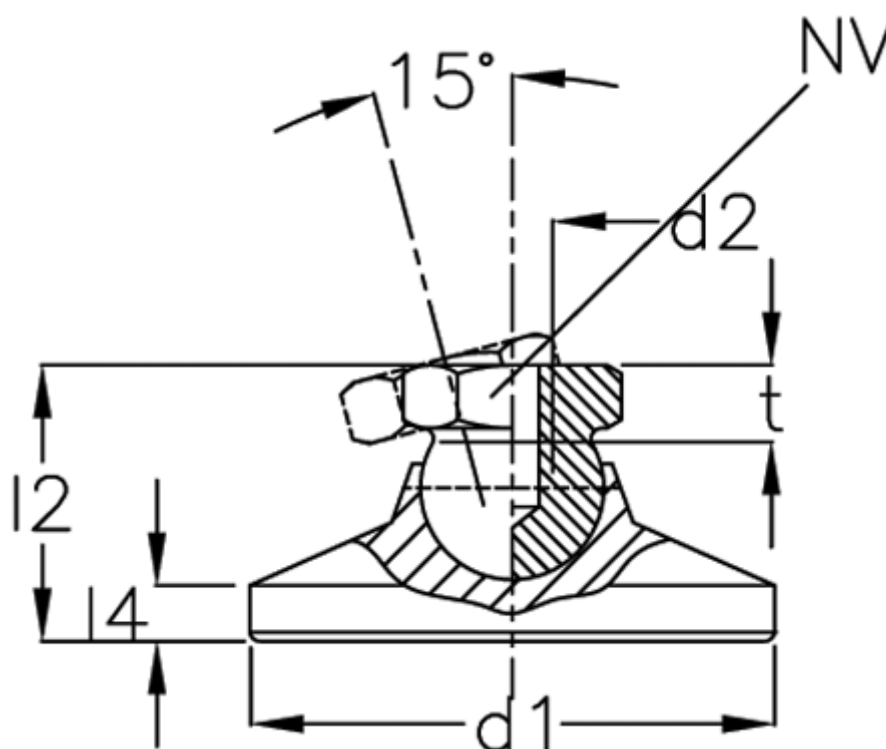


Article number: 20343150M12KR  
Description: E+G levelling foot  
GN 343.1-50-M12-KR

## Measures



d1	= 50
d2	= 12
l2	= -
l4	= -
NV	= 17
Static load (kN)	= 30
t min	= 11.5